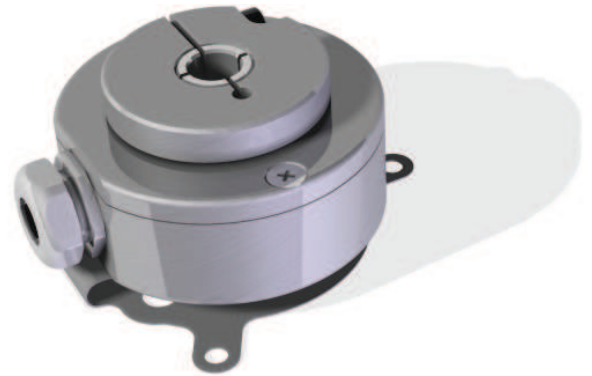


MAIN FEATURES

ø 50 encoder series recommended as motor feedback.
Suitable for small size motors due to its reduced dimensions.

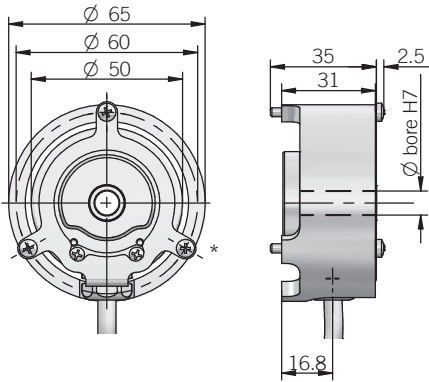
- Easy mechanical mounting, front or rear fixing
- Small dimensions
- Highly integrated optical ASIC
- Resolution up to 1024 ppr with zero signal
- Up to 105 kHz output frequency
- Up to 6000 RPM rotation speed
- IP 65 as protection grade
- Wide temperature range -40 ... + 100°C
- Power supply with reverse polarity protection
- Electronic output with active short circuit protection



ORDERING CODE

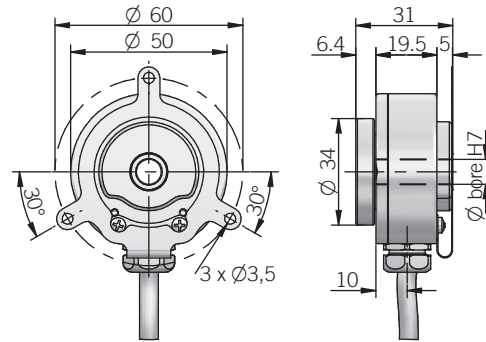
EH	50	F	P	1024	Z	5/30	P	8	X	6	P	R	.	XXX
SERIES incremental encoder series EH	SIZE mm 50	TYPE fixing with spring F	FIXING through hollow shaft with front fixing A through hollow shaft with rear fixing P	RESOLUTION ppr 100 / 200 / 256 / 360 / 400 / 500 / 1000 / 1024 <i>please directly contact our offices for pulses availability</i>	ZERO PULSE without zero pulse S with zero pulse Z	POWER SUPPLY 5 ... 30 V DC 5/30	OUTPUT DIRECTION R radial	OUTPUT TYPE P cable output cable gland (standard length 0.5 m)	MAX ROTATION SPEED 6 6000 rpm	ENCLOSURE RATING X IP 65	SHAFT DIAMETER 6 mm 8 mm 9,52 mm (3/8") 10 mm	ELECTRONIC INTERFACE P push-pull L universal line driver TTL/HTL	VARIANT XXX custom version	

EH 50 FA



* n°3 M3x35 screws included

EH 50 FP



Mechanical specifications

Shaft diameter	ø 6 / 8 / 9,52 (3/8") / 10 mm
Enclosure rating	IP 65 (IEC 60529)
Max rotation speed	6000 rpm
Shock	50 G, 11 ms (IEC 60068-2-27)
Vibration	10 G, 10 ... 2000 Hz (IEC 60068-2-6)
Moment of inertia	0,5 x 10 ⁻⁶ kgm ²
Fixing torque for collar clamping	recommended max 1Nm
Bearings	2 ball bearings
Bearings life	10 ⁹ revolutions
Body material	EN-AW 2011 aluminum
Shaft material	1.4305 / AISI 303 stainless steel
Housing material	EN-AW 2011 aluminum
Operating temperature	-40° ... +100 °C (-40° ... +212°F)
Storage temperature	-40° ... +100 °C (-40° ... +212°F)
Weight	150 g

Electrical specifications

Resolution	100 / 200 / 256 / 360 / 400 / 500 / 1000 / 1024 ppr
Power supply	4,5 ... 30 V DC (with reverse polarity protection)
Power draw without load	600 mW
Max load current	20 mA per channel
Output type	push-pull line driver RS422 compatible with +5 Vdc power supply
Max output frequency	105 kHz
Counting direction	A leads B clockwise (shaft view)
Electromagnetic compatibility	IEC 61000-6-2 IEC 61000-6-4

Connections and standard colours

Function	Line driver	Push-pull
+V DC	red	red
0 V	black	black
Ch. A	green	green
Ch. A-	gray or brown	/
Ch. B	yellow	yellow
Ch. B-	orange	/
Ch. Z	blue	blue
Ch. Z-	white	/
⊥	shield	shield